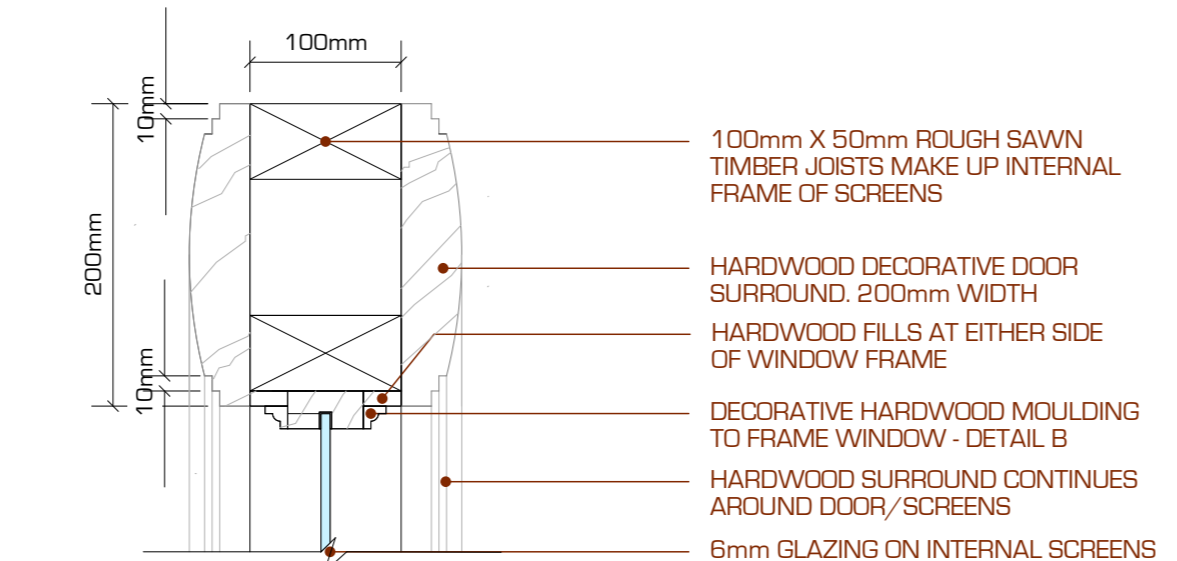
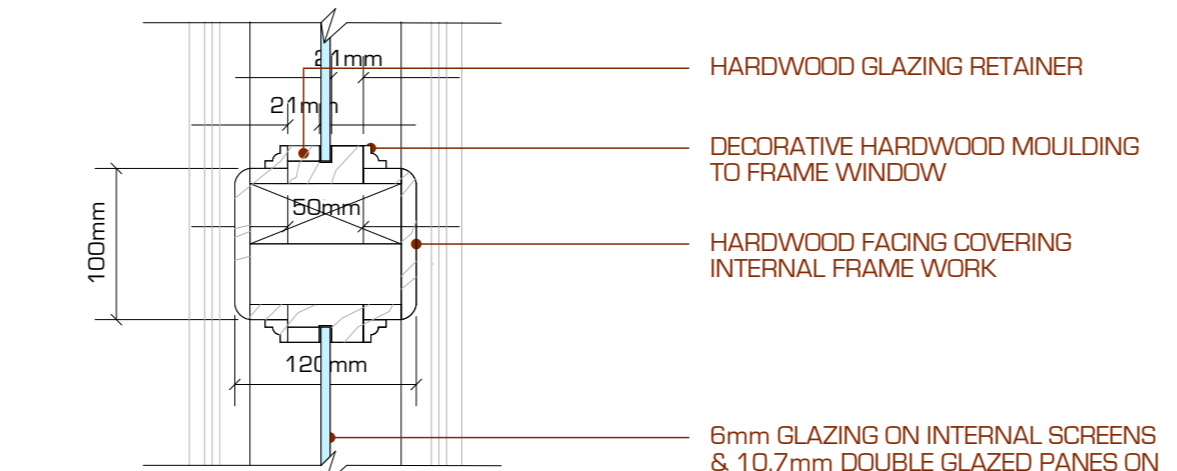


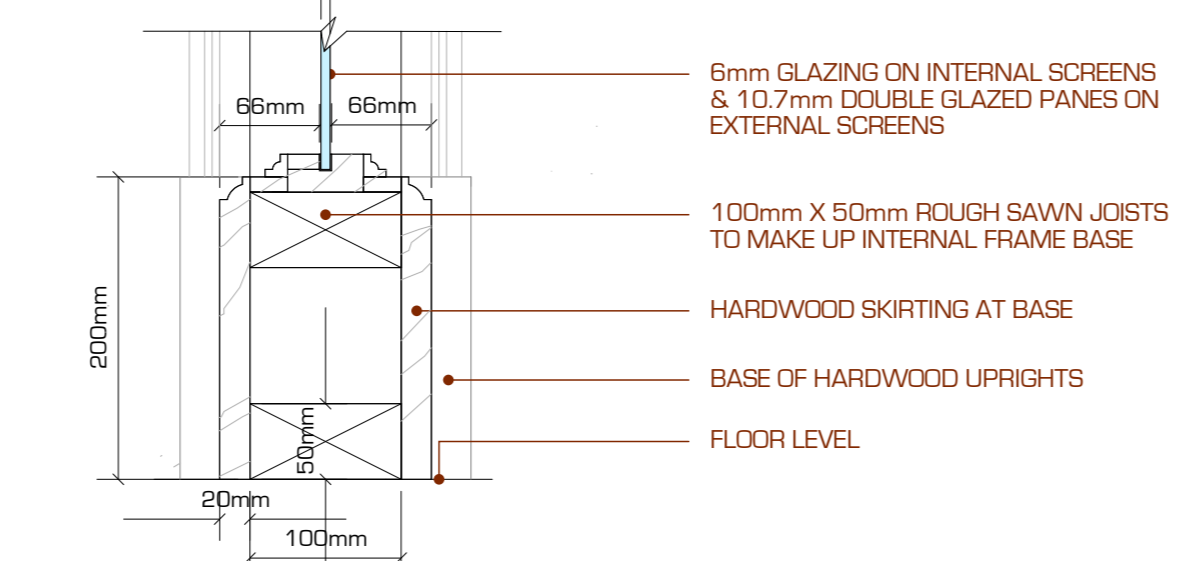
ELEVATION OF ENTRANCE @ 1:20



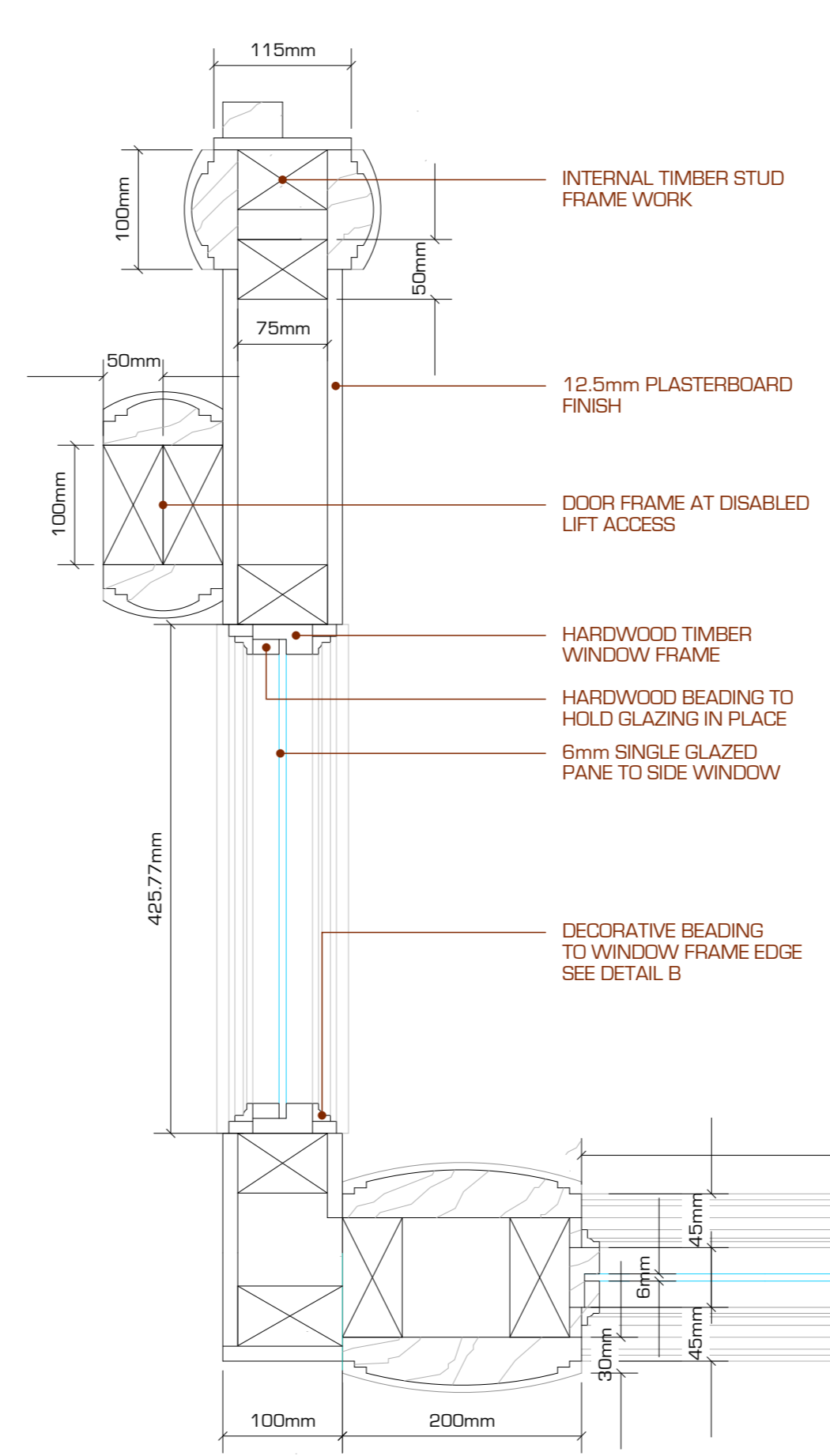
SCREEN TOP SECTION A @ 1:5



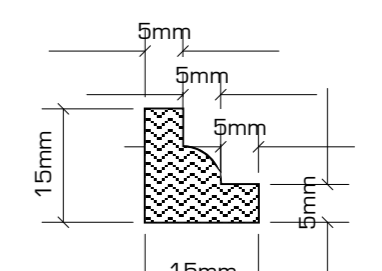
SCREEN MIDDLE SECTION A @ 1:5



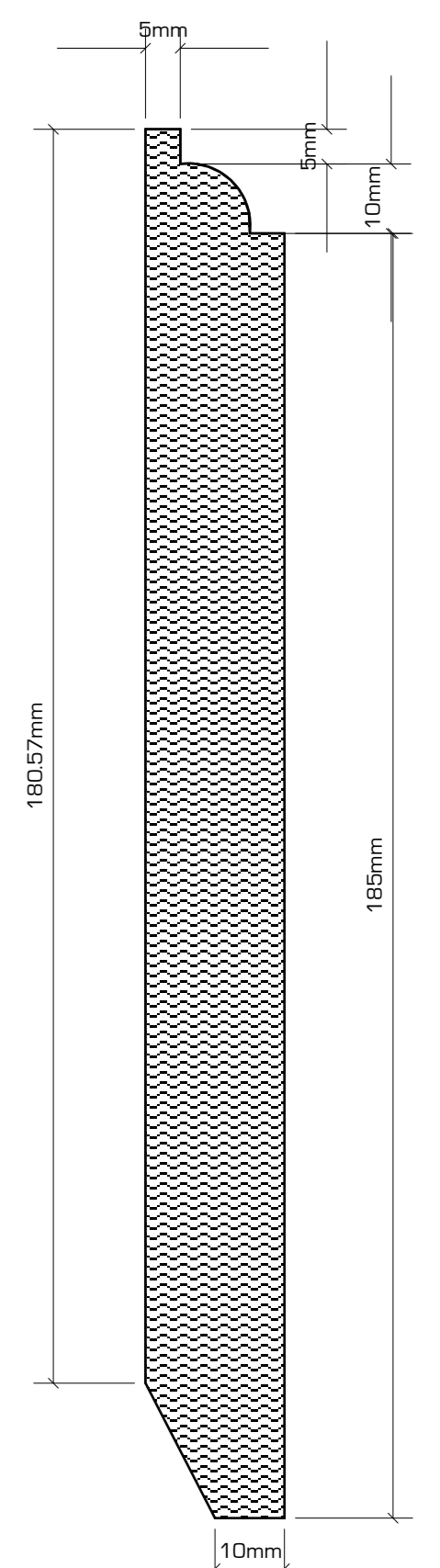
SCREEN BASE SECTION A @ 1:5



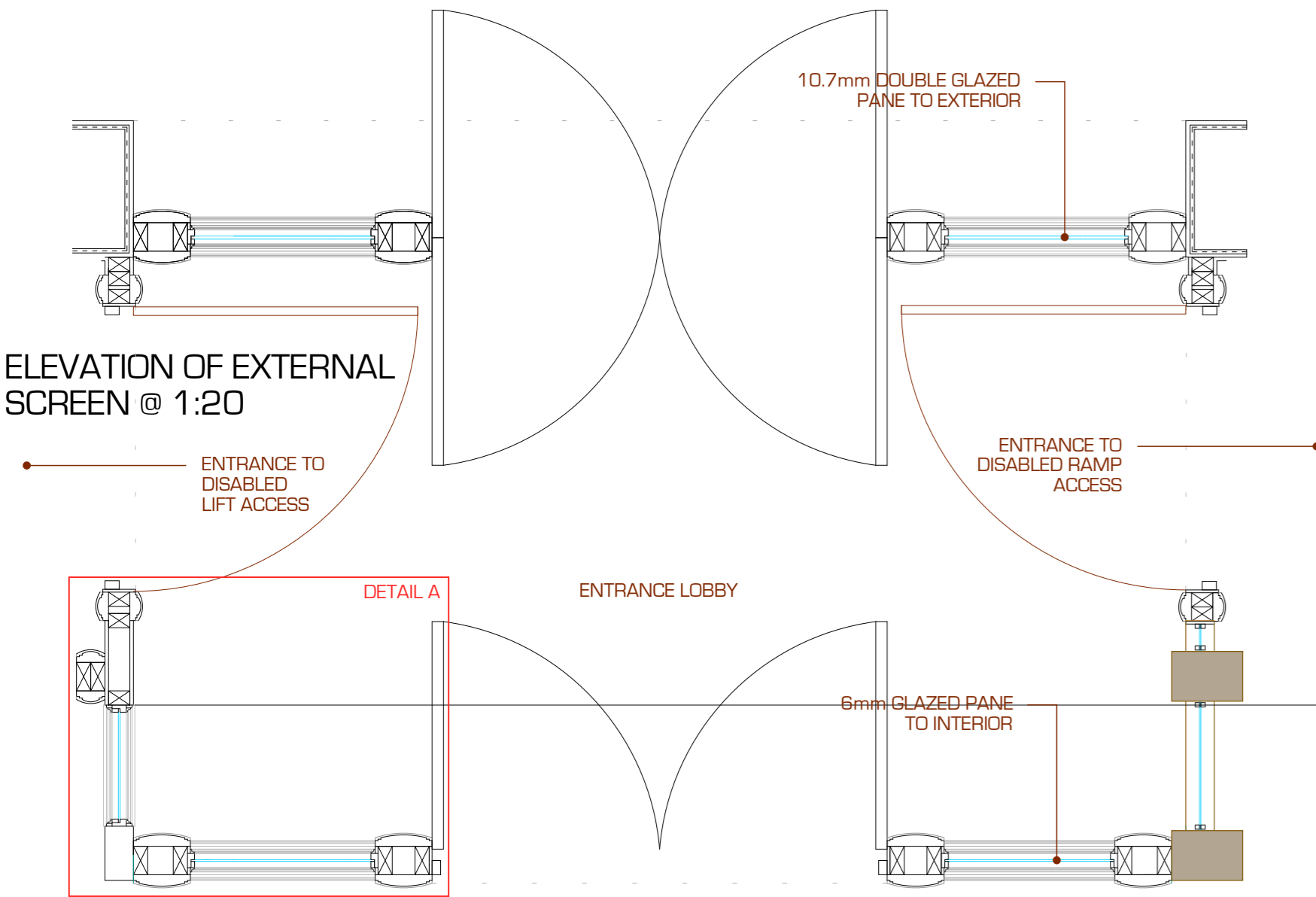
PLAN DETAIL A OF SCREEN @ 1:5



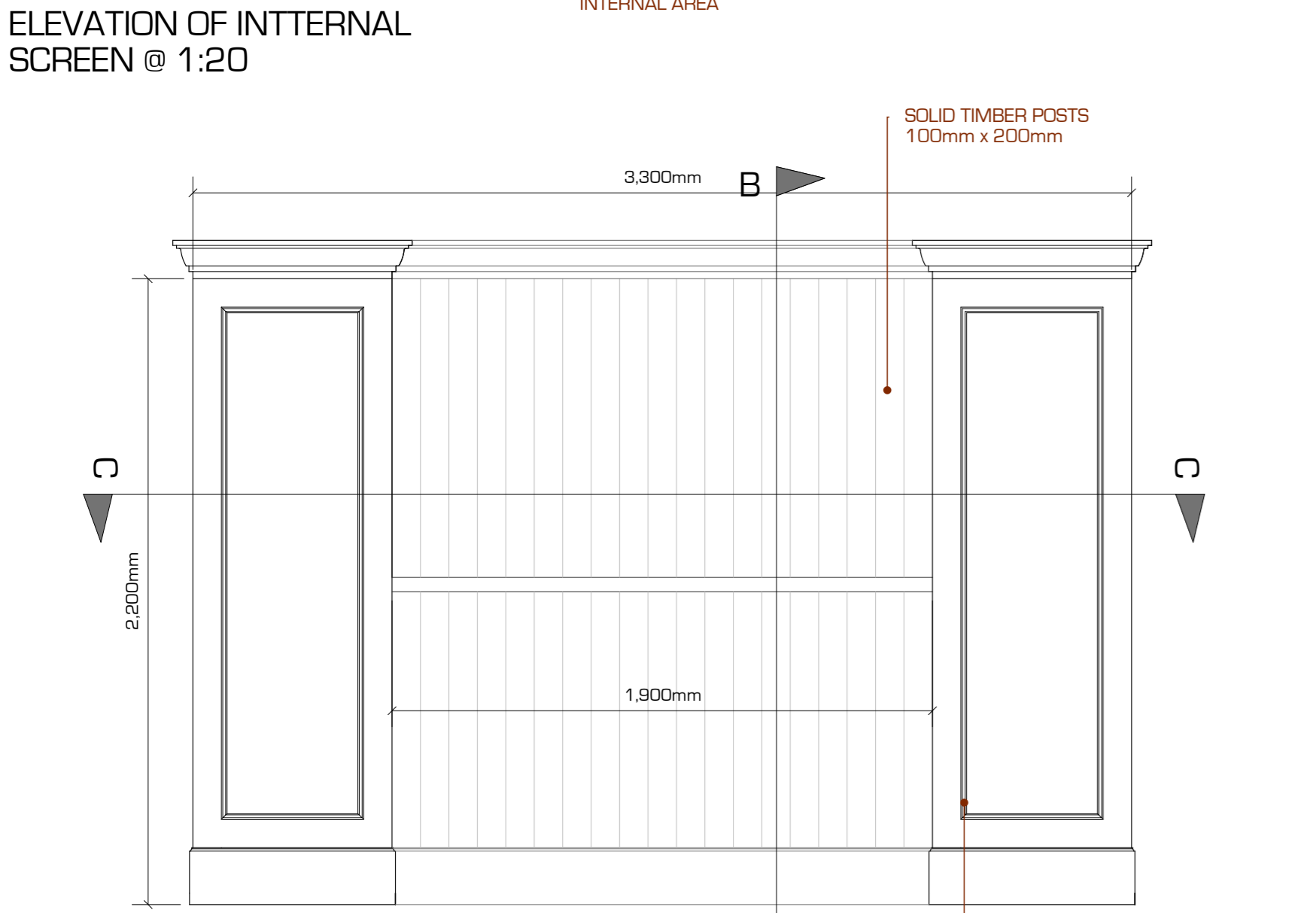
DETAIL B OF BEADING @ 1:1



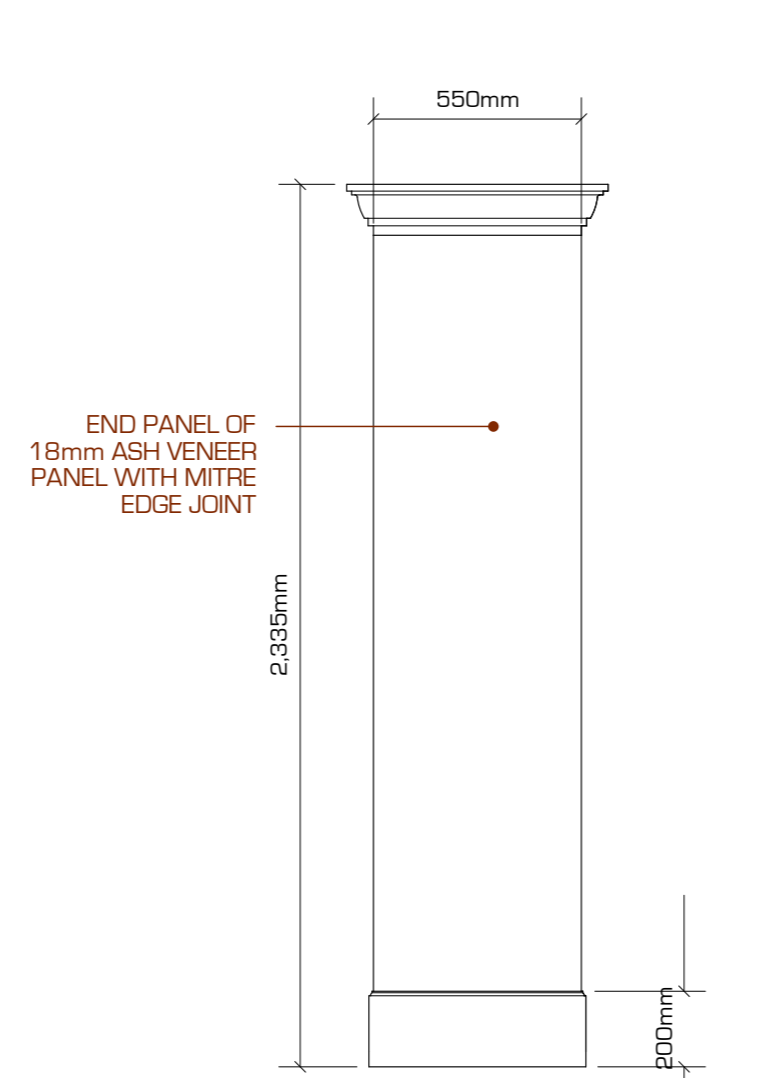
DETAIL C OF SKIRTING @ 1:1



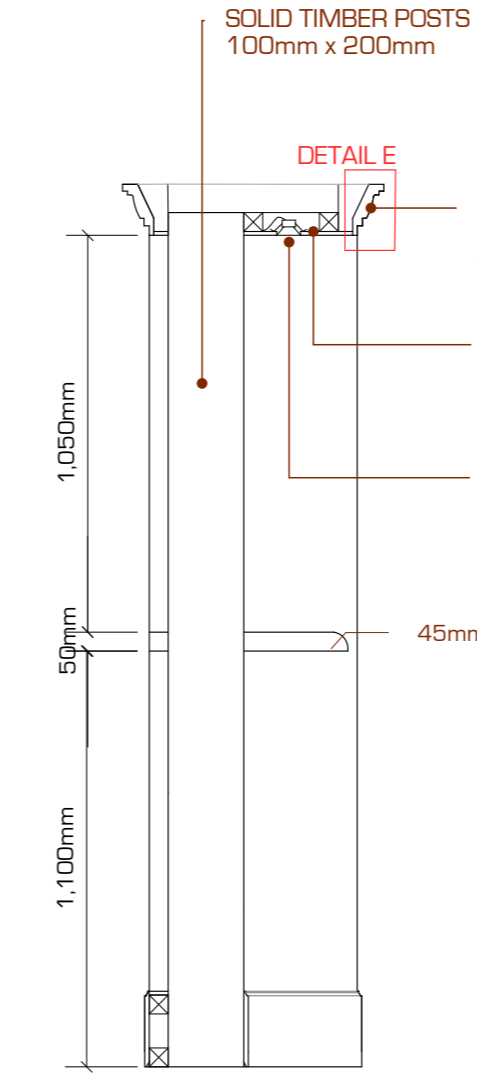
ELEVATION OF EXTERNAL SCREEN @ 1:20



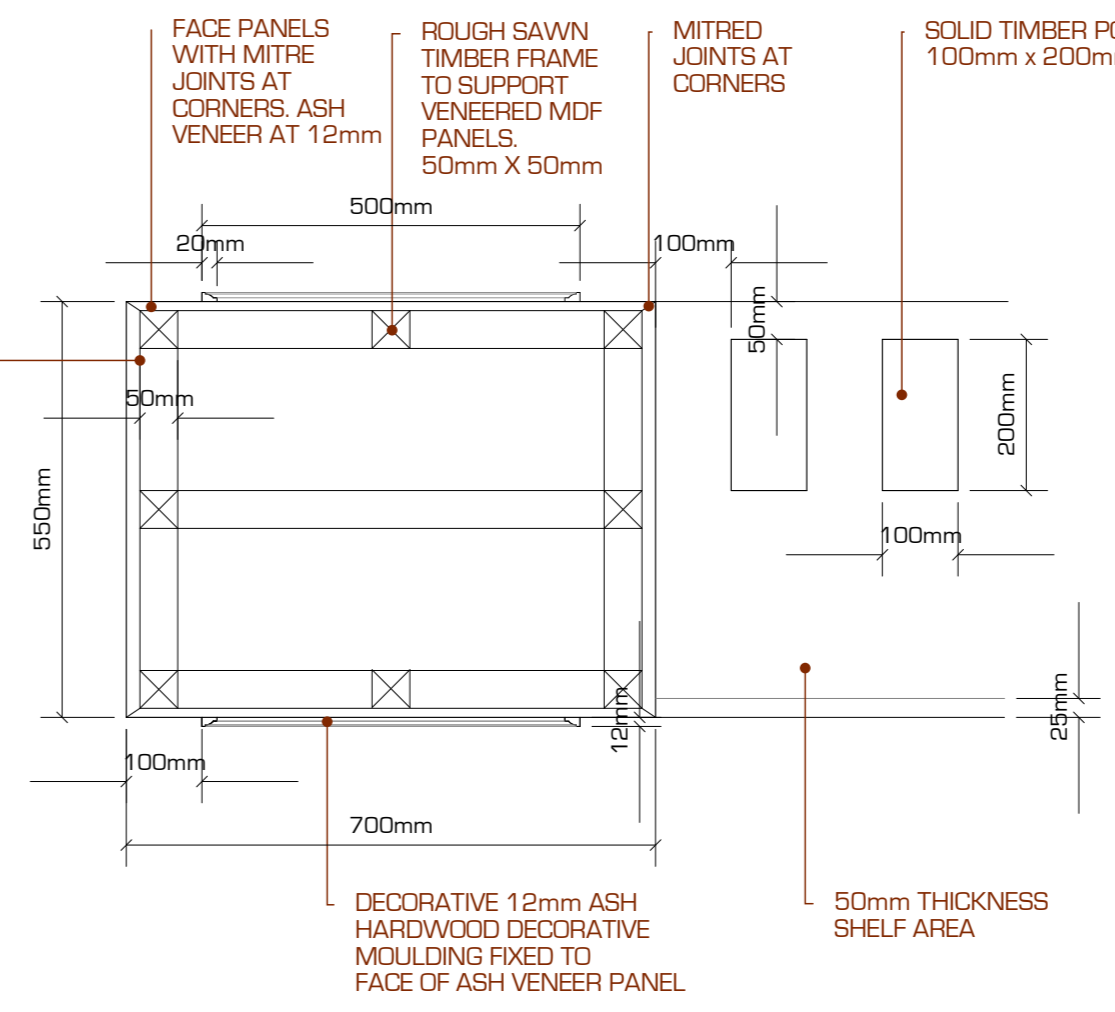
ELEVATION OF INTERNAL SCREEN @ 1:20



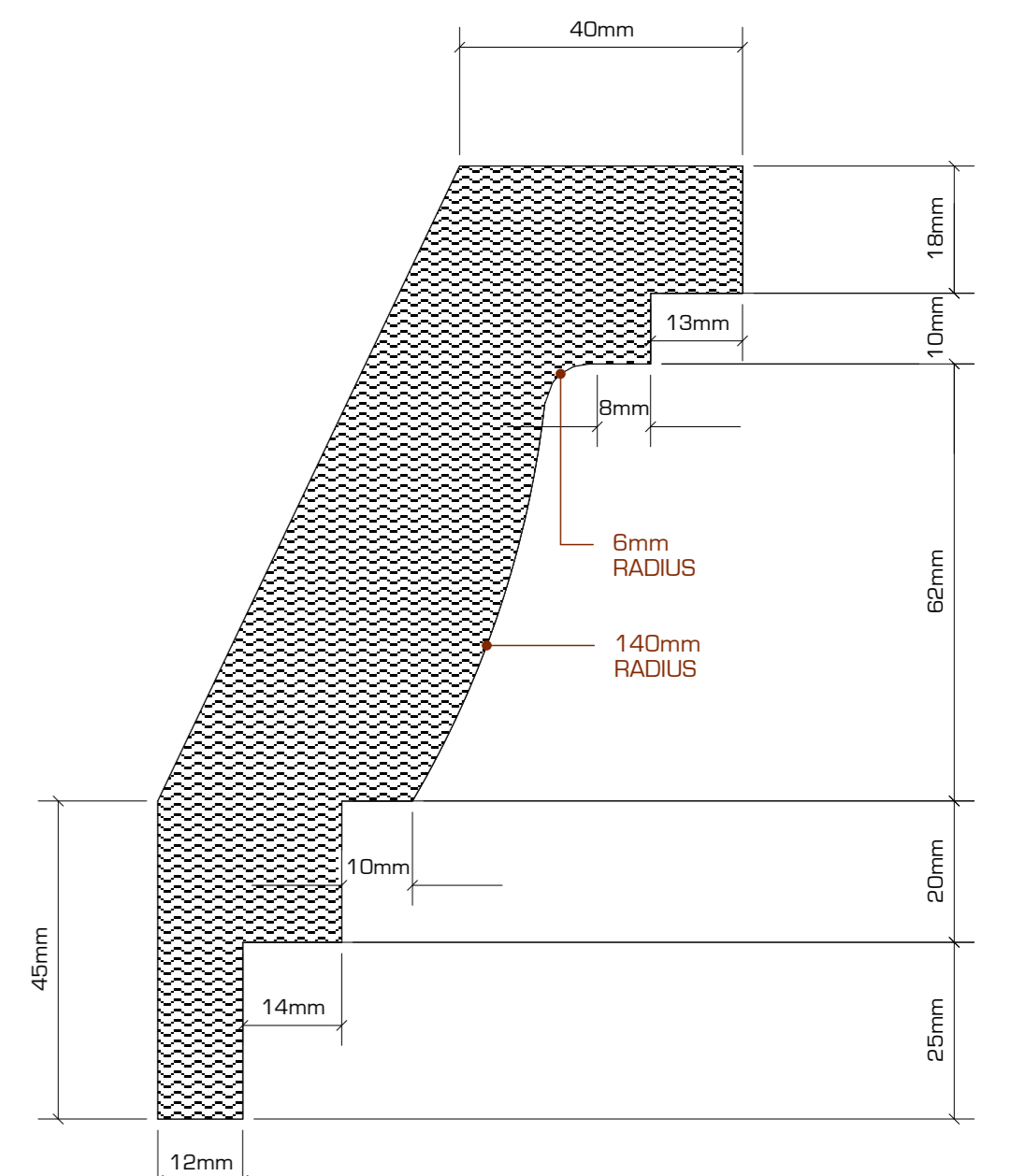
END ELEVATION OF SCREEN @ 1:20



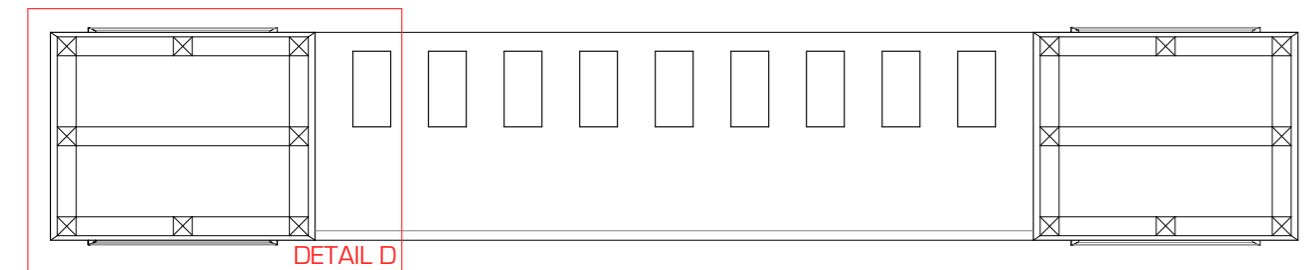
SECTION B SCREEN @ 1:20



DETAIL D SCREEN @ 1:10



DETAIL E SCREEN @ 1:1



SECTION C SCREEN @ 1:20

Do not scale from this drawing, use written dimensions only.  
Confirm all sizes on site prior to manufacture.  
Assumptions should not be made.

project no.	1674	drg No.	T10	rev.		client	BELHAVEN
date	28/01/09	scale	1:20 - 1:10 - 1:5 - 1:1			project	GALA BINGO 12 HUME STREET MONTROSE, DD10 8JD
drawn by	AJW					drawing	SCREEN DETAILS

**TENDER**  
Burns Interior Design